

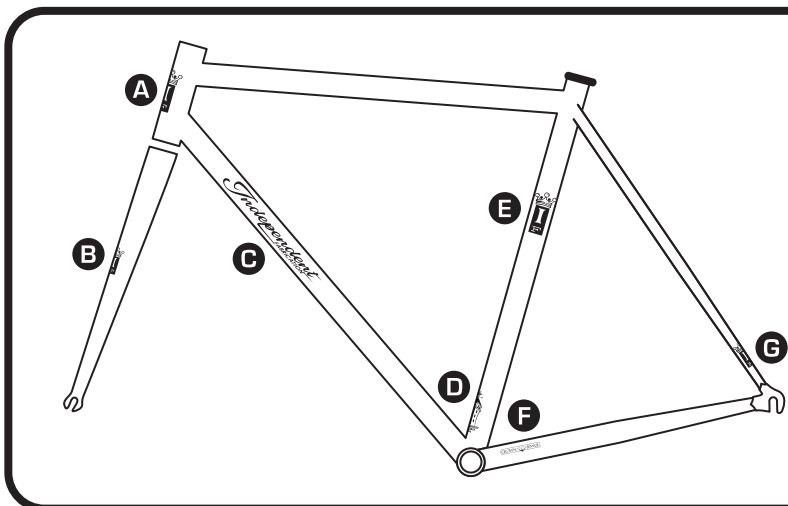


COLOR AND DECALS

Independent Fabrication creates some of the best paint jobs in the industry. You can see examples in detail on the IFblog at ifbikes.com or you can check out the IF owners website, ifrider.com to see constantly updated bike photos from our customers.

STOCK PAINT JOBS

Our stock paint colors cover a wide range of popular basic colors, metallics, and pearls. Pair any one of these colors with any set of decals on a steel frame at no additional charge. Choose a box or script down tube logo.



A stock IF decal treatment includes:

- Head Tube - IF logo **A**
- Fork - IF logos **B**
- Down Tube - IF logo (choose box or script) **C**
- Seat Tube - Newmarket, NH tower **D**
- Seat Tube - IF logos **E**
- Chain Stay - Model decal **F**
- Seat Stay - IF logos **G**

LEVEL 1: Additional Cost

This level includes 2-color fades, painted-in panels, team panels and many other basic paint jobs for your steel frame. Level 1 also includes basic paint options for titanium. You can paint your new titanium frame with a solid color, 3/4 paint job, and painted panels (or reverse panels) on the seat tube and down tube.

LEVEL 2: More Additional Cost

This level includes paint jobs with complex masking, combined techniques, and additional painting time. This includes Flames, Ghost Flames, Jersey Panels, 3-Color Fades and many more special effects.

LEVEL 3: Even More Additional Cost

Level 3 includes even more complex paint jobs with intricate masking, daredevil techniques, and extended painting time. This includes Faux Lugs, Painted XS Lugs, Double Flames, and many more special effects.

LEVEL 4: The Sky's The Limit!

This is the fully custom level requiring a price quote from our design department.

NOTE: The colors in our catalog and on our website are not actual paint. We do our best to replicate these colors but real paint is real paint. Printed examples and images on a computer screen cannot be entirely accurate, no matter how hard we try. Please visit your local IF dealer to see actual paint and decal samples.



COLOR AND DECALS

STOCK PAINT JOBS AND COLORS

All steel frames are primed, painted, decaled, and clear-coated to the customer's specifications. All of our titanium frames are shot-peened first and then painted if and where applicable (for an additional cost). A brushed finish is also available on ti frames.

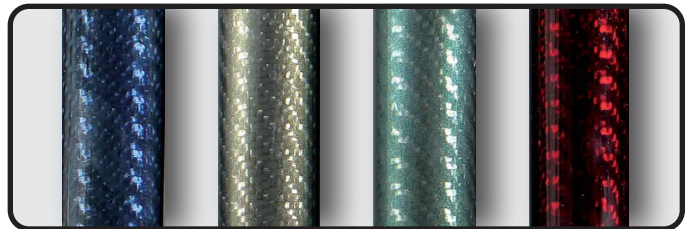
COLOR CHOICES

Stock colors include any of the 24 colors below. Any one color is included in the price of a stock paint job. Discontinued colors are not considered "stock" but they can be mixed on an individual basis. Any paint color can have a matte finish (for an additional cost).

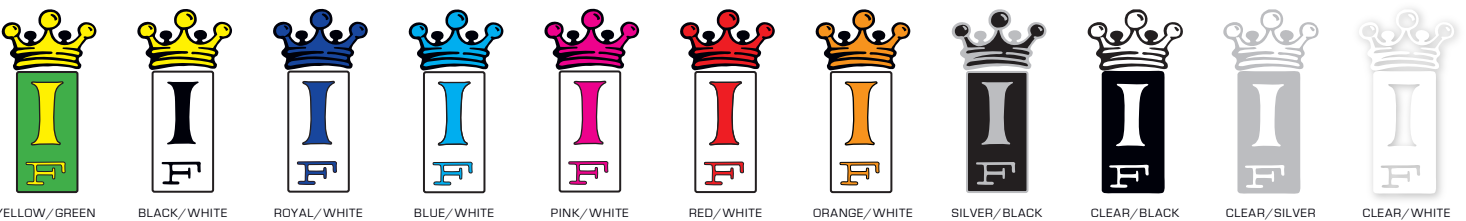


CARBON TINTS

Tint your carbon! We have 4 tints to choose from for all carbon fiber frames and forks: **BLUE, GOLD, GREEN, & RED.**



DECAL CHOICES



BOX DOWN TUBE LOGO: Available in all above decal colors.

OR



SCRIPT DOWN TUBE LOGO: Available in Black, White, and Silver.